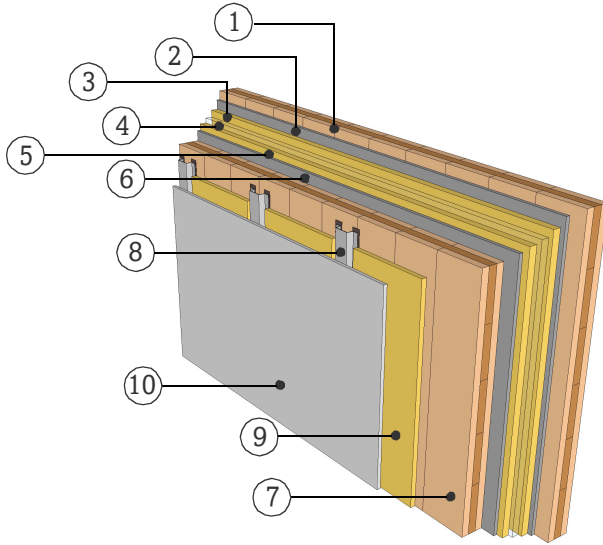


DATASHEET

PARTITION WALL

WTW16.06

TWO SEPARATE LAYER, FACING FORMWORK



FIRE RESISTANCE

Pre-dimensioning for fire attack on both sides

R*EI 30	> 3s 80 TT
R*EI 60	> 5s 100 TT
R*EI 90	> 5s 100 TT+12.5 Gt-F

*For residual load capacity or alternative design see <https://www.klhdesigner.at/>

SOUND INSULATION

$R_w (C;C_{tr})$	69 (-5;-12)	[dB]
------------------	-------------	------

<https://www.klh.at/online-bauteilkatalog/>

THERMAL PROTECTION

U	0,25	[W/m²K]
$m_{w,B,A}$	29/36	[kg/m²]

MATERIAL

PROPERTIES

	[mm]	λ [W/mK]	μ min-max [-]	ρ [kg/m³]	c [kJ/kgK]	
①	100.0	0.12	50 - 300	470	1.6	D
②	15.0	0.4	40	1000	1	A1
③	30.0	0.032	1	40	0.81	A2
④	10.0					
⑤	30.0	0.032	1	40	0.81	A2
⑥	15.0	0.4	40	1000	1	A1
⑦	100.0	0.12	50 - 300	470	1.6	D
⑧	20.0					A1
⑨	15.0	0.036	1	70 - 150	0.84	A1
⑩	12.5	0.32	13	1200	1.1	A1

Thickness 332,5 [mm]

Mass per squaremeter ca. 155 [kg/m²]

Test report sound: HFA 781a2016-BB
Calculation of the physical values by the
KLH Massivholz GmbH, without warranty