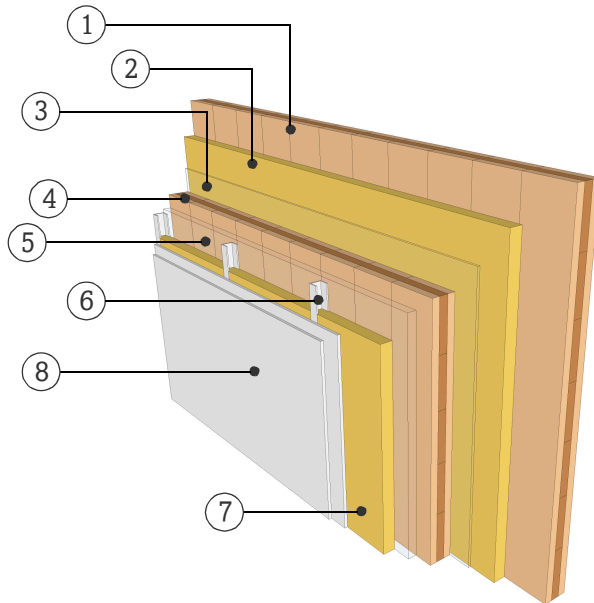


DATASHEET

PARTITION WALL

WTW12.05

TWO SEPARATE LAYER, FACING FORMWORK



FIRE RESISTANCE

Pre-dimensioning for fire attack on both sides

<b>R*EI 30</b>	> 3s 80 TT
<b>R*EI 60</b>	> 5s 100 TT
<b>R*EI 90</b>	> 5s 100 TT+12.5 Gt-F

\*For residual load capacity or alternative design see <https://www.klhdesigner.at/>

SOUND INSULATION

R<sub>w</sub> (C;C<sub>tr</sub>) 71 (-3;-9) [dB]

<https://www.klh.at/en/online-component-catalogue/>

THERMAL PROTECTION

U 0,21 [W/m²K]

m<sub>w,B,A</sub> 18/37 [kg/m²]

MATERIAL

PROPERTIES

	[mm]		λ [W/mK]	μ min-max [-]	ρ [kg/m³]	c [kJ/kgK]	
①	100.0	TT, KLH solid timber slab	0.12	50 - 300	470	1.6	D
②	50.0	Mineral wool, low density	0.04	1	15-30	1	A1
③	10.0	Air gap					
④	100.0	TT, KLH solid timber slab	0.12	50 - 300	470	1.6	D
⑤	35.0	Air gap					
⑥	50.0	Lightweight C-profiles					A1
⑦	50.0	Mineral wool, low density	0.04	1	15-30	1	A1
⑧	25.0	Gypsum plasterboard	0.25	10	680	0.96	A2

Thickness 370,0 [mm]

Mass per squaremeter ca. 120 [kg/m²]

Test report sound: HFA 1252/2012-BB  
Calculation of the physical values by the  
KLH Massivholz GmbH, without warranty